

985 MOTOR GRADER

CUMMINS 6BTAA 5.9 - 173 C ENGINE | SIX FORWARD, THREE REVERSE
AUTOMATIC POWER - SHIFT TRANSMISSION | NO-SPIN DIFFERENTIAL
TANDEM AXLE | 15,500 KG OPERATING WEIGHT | 12 - FEET MOLDBOARD
ERGONOMICALLY DESIGNED CABIN WITH HVAC & EXCELLENT VISIBILITY
CENTRALIZED ELECTRONIC GAUGE DISPLAY

LeeBoy



Unmatched Power, Performance & Productivity

MOTOR GRADERS | CRAWLER EXCAVATORS | BACKHOE LOADERS | CONCRETE BATCHING PLANTS | DRILL RIGS

BUILT BY
LISTENING
KNOWLEDGE
EXPERTISE

985 MOTOR GRADER

LeeBoy Motor Graders are all about high torque, performance and reliability. This cutting edge technology is powered to do anything from building a road and cutting a ditch to moving earth, doing site work and fine grading.



ENGINE

Model: Cummins 6BTAA 5.9C – 173
Type: Four Stroke, Turbo Charged (BSIII Complaint)
Cylinders: 6 in-line
Bore/ stroke: 4.01 in x 4.73 in (102 mm x 120 mm)
Displacement: 360.04 in³ (5.9 ltr)
Maximum net torque: 650 Nm @ 1500 rpm
Gross power @ 2200 rpm: 173 Hp

TRANSMISSION

Type: Automatic Power - Shift Transmission. Direct Drive(ZF). Integrated torque converter, lock up clutch and stator freewheel with an Electronic Control Unit (ECU)
Speeds: 6 Forward - 3 Reverse

Shift Position (km/hr)			
Forward		Reverse	
1 st	5.2	4 th	19.2
2 nd	8.1	5 th	28.8
3 rd	12.4	6 th	44.5
		3 rd	30.4

SERVICE CAPACITIES

Fuel tank: 300 ltr
Hydraulic system: 100 ltr
Engine oil: 15 ltr
Radiator: 21 ltr



REAR AXLE

Make: Oerlikon Graziano
Type: Heavy duty tandem axle with central planetary reduction with no spin differential. All four wheel hubs are fitted with maintenance free, oil immersed Disc Brakes

No of discs/ brake: 5
Tandem type: Fully welded steel structures for torsional strength, Oscillates on a single centre pivot pin.

FRONT AXLE

Type: Fully welded steel structures for torsional strength
Oscillation: 10° on each side
Wheel lean: 17° on each side
Wheels & tyres: 14 x 24" 12-ply rating

ARTICULATION

Type: Hydraulic actuated
Range: 20° left/ right
Controls: Hydraulic

TECHNICAL

HYDRAULICS

System:	Closed centre
Pump:	Variable flow, load sensing axial piston pump with load independent post compensated valve with over centre valve on all functions.
Fan drive system:	Electro hydraulic, variable controlled (on demand) fan drive system with auto reversal
Rated flow @ 2500 rpm:	160 Lpm
Pressure Setting:	220 Bar
Control valve:	10 Section, closed centre flow sharing
Saddle:	5 position

ELECTRICAL

Voltage:	24 Volts, Negative ground
Alternator:	90 amp
Batteries:	800 cca Heavy duty, gel type Batteries (Can be tilted 180° without spillage)
Lights:	Halogen type combination Head lights(2); LED type Worklights(6); Combination type: Tail lights(2) Strobe Light: Amber LED type Dual Flash

STEERING

Type:	Hydraulic Power steering
Turn circle Diameter:	Straight Frame - 28.8 m Articulated - 16.6m
Steering Arc:	45°
Frame Articulation:	20°

BRAKES

Service Brake:	Foot operated, hydraulically actuated Dual independent valve circuit for increased safety, fully sealed and maintenance free
Parking Brake:	Spring Applied Hydraulic Release(SAHR) fail safe parking brake

MAIN FRAME

Fully welded box section, Rear frame with modular power train mounting for ease of service

DRAWBAR (A FRAME)

Rectangular Bar section, Narrow T design permits optimum visibility of the work area

CIRCLE DRIVE

Type:	Hardened teeth, cut on the inside of circle for maximum leverage & minimum wear
Rotation:	360°

MOLDBOARD:

	12 feet (3.66 m) standard, 14 feet (4.27 m) optional
Width:	12 ft (3.66 m)
Height:	1.62 ft (0.494 m)
Blade tilt:	40° Forward & 5° Backward
Max bank sloping angle:	Left-Right - 90°
Blade reach:	2.44 ft (0.744 m)
Side-shift (total):	5 ft (1.524 m)
Lift above ground:	1.52 ft (0.46 m)
Rotation:	360°

OPERATING WEIGHT: 15,500 Kg

(Weight calculated for Standard machine with 12' moldboard, Front Scarifier, fully fueled and operator)

Front axle weight:	4,500 Kg
Rear axle weight:	11,000 Kg

OPERATOR ENVIRONMENT

- Ergonomically designed fully-enclosed cabin with HVAC
- Hydraulic Pilot operated joystick controls.
- Interactive Diagnostic with Programmable interlocks
- Rear view camera for enhanced visibility
- Advanced electronic display for basic parameters, fan drive parameters and display from the ECU for various transmission error codes.
- Tilttable and height adjustable steering column
- Fully adjustable operator seat with seat belt

INSTA - i TELEMATICS

- LeeBoy's customized telematics solution from Trimble, USA
- For location, machine health and working data monitoring system
- Monitor critical parameters like utilization, fuel level and machine location via google maps across multiple sites
- Mobile alerts enabled for instant real-time data

Attachments

FRONT SCARIFIER (STANDARD)

Width:	3.83 ft (1.167 m)
Max digging depth:	1.15 ft (0.35 m)
Lift above ground:	1.97 ft (0.6 m)
Teeth:	6 nos. provided as standard with facility for 11 nos.
Weight:	600 Kg

MID MOUNT SCARIFIER (Optional)

Width:	3.83 ft (1.17 m)
Max digging depth:	0.95 ft (0.29 m) below grade
Lift above ground:	0.8 ft (0.24 m)
Teeth:	6 nos. provided as standard with facility for 11 nos.
Weight:	750 Kg

REAR RIPPER CUM SCARIFIER (OPTIONAL)

Width:	6.35 ft (1.94 m)
Max. digging depth:	Scarifier: 1 ft (0.31 m) below grade
Max. digging depth:	Ripper: 1.48 ft (0.45 m) below grade
Lift above ground:	2.3 ft (0.7 m)
Scarifier teeth:	5 nos provided as standard with facility for 9 nos.
Ripper teeth:	3 nos provided as standard with facility for 5 nos.
Weight:	850 Kg

FRONT DOZER (OPTIONAL)

Width:	8 ft (2.44 m)
Curved height:	2.11 ft (0.64 m)
Digging depth:	0.63 ft (0.192 m)
Lift above ground:	2.48 ft (0.76 m)
Weight:	830 kg

COUNTERWEIGHT (OPTIONAL)

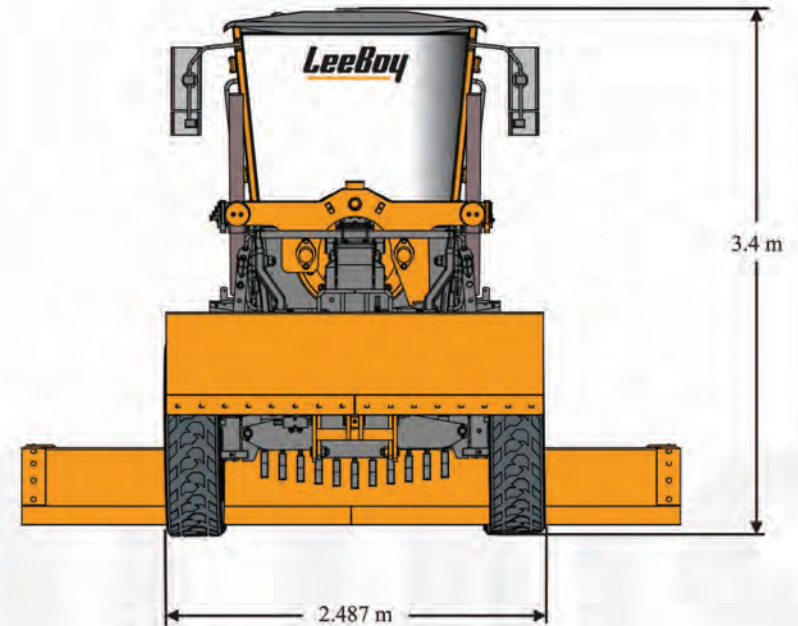
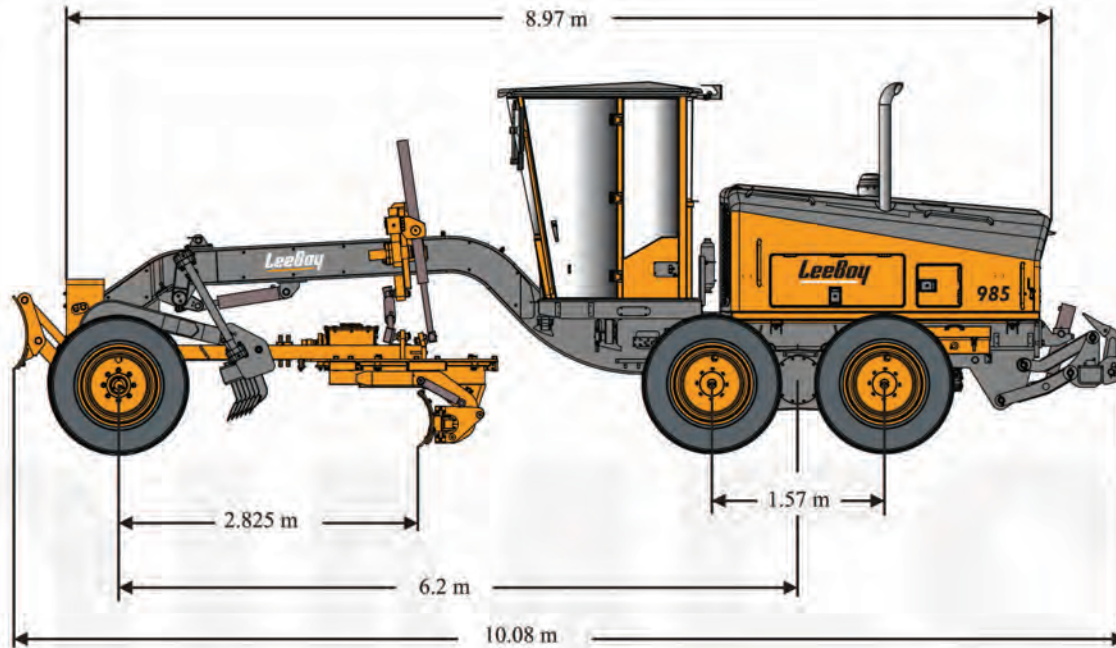
Type:	Rear mounted
Weight:	800 kg

PUSHBLOCK (OPTIONAL)

Type:	Front mounted
Weight:	530Kg

985

MOTOR GRADER



LeeBoy makes continuous improvements to all its products and reserves the right to change specifications without notice. Photos and illustrations may contain standard and optional equipment.

LeeBoy

LeeBoy India Construction Equipment Private Limited

Plot # 289 - 292, Bommasandra Jigani Link Road, KIADB Industrial Area,
Jigani Hobli, Anekal Taluk, Bangalore - 560 105 India.

✉ sales@leeboyindia.com ☎ LeeBoy Helpdesk: 1860 208 1003 🌐 www.leeboy.com